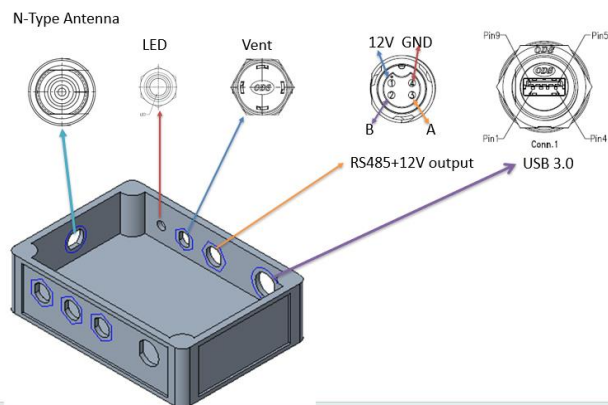
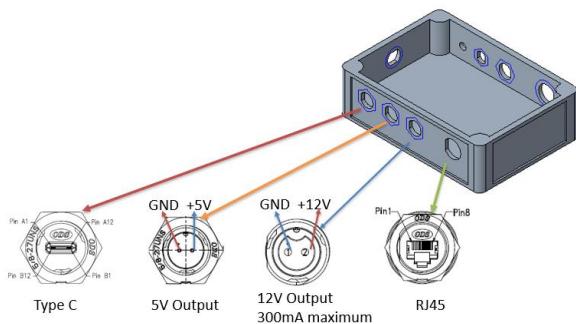
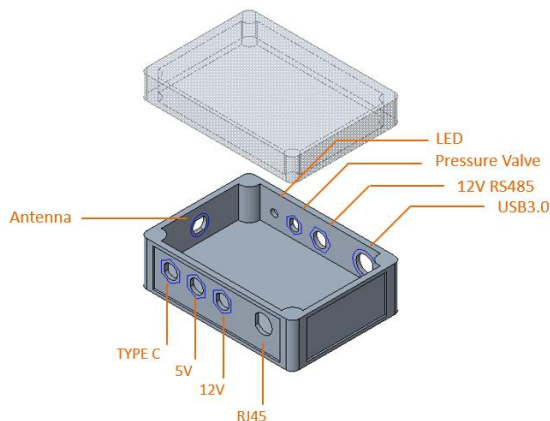


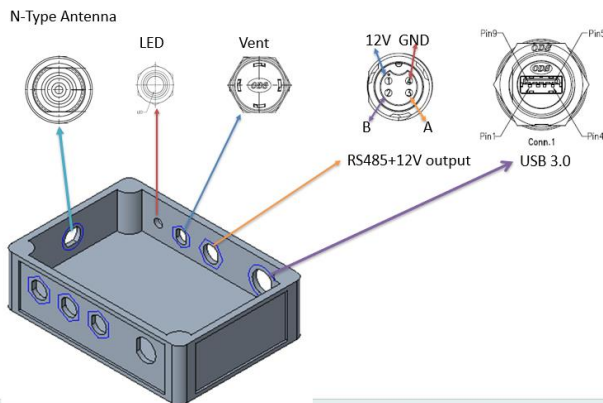
# 802.11ah HaLow IP67 server Box



**Model:H-100**



bandwidth (up to 4Mbps)  
over other Sub 1GHz protocols.



## KEY FEATURES of HaLow

- Both Access point and station mode

## 802.11ah

Powered by the NRC7292.

802.11ah HaLow Supports 1/2/4 MHz bandwidth

- 902.0 ~ 928.0 MHz Frequency
- +23dBm Transmit Power

## INTERFACES

- 1 10/100Mbps LAN port, Auto MDI/MDIX
- 1 power 5V output for sensor
- 1 power 12V output 350mA maximum for Sensor.
- 1 RS485 port for sensor
- 1 N-type IP67 antenna 1T1R 31cm length 863-928 MHz.
- 1 Type C for power input & Data Communication.
- 1 USB 3.0 port for setting
- 1 Vent for pressure relief.

**LED** Power indicator

**Embedded system:** Raspberry pi 4b

## Others

- Size 17cm x 12cm x 7.5cm
- Weight 0.5 kg
- Operating temperatures
- Normal operating conditions -20...+70 °C

## LIGHTSPEED International Co.

No.20, Lane 526 NiuPu East Rd. Hsin Chu Taiwan

Tel: +886 3 5396570 Fax:+886 3 5401872

Web : [www.lightspeed.com.tw](http://www.lightspeed.com.tw)

Contact : [peter@lightspeed.com.tw](mailto:peter@lightspeed.com.tw)

**H-100** is a versatile and easy-to-use Server with 802.11ah HaLow wireless capability. It provides greater range (1km+) and higher